

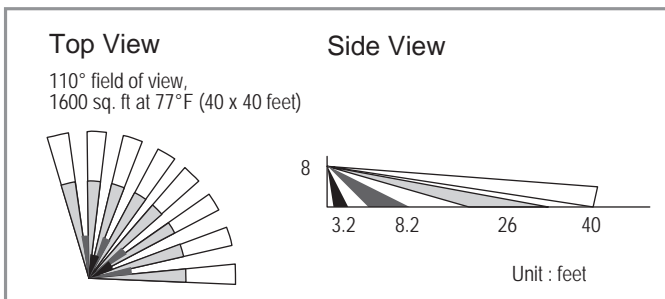


Smart for Greenlife!

Features

- Reduces wasted energy from forgetting turning the lights off
- 110° field of view, 1600 sq. ft at 77°F (25°C)
- Can work either with DAE Smart Green Box 1500 and 2000 series
- NC/NO selectable output, dry contact
- Anti-tamper protection

Coverage Pattern

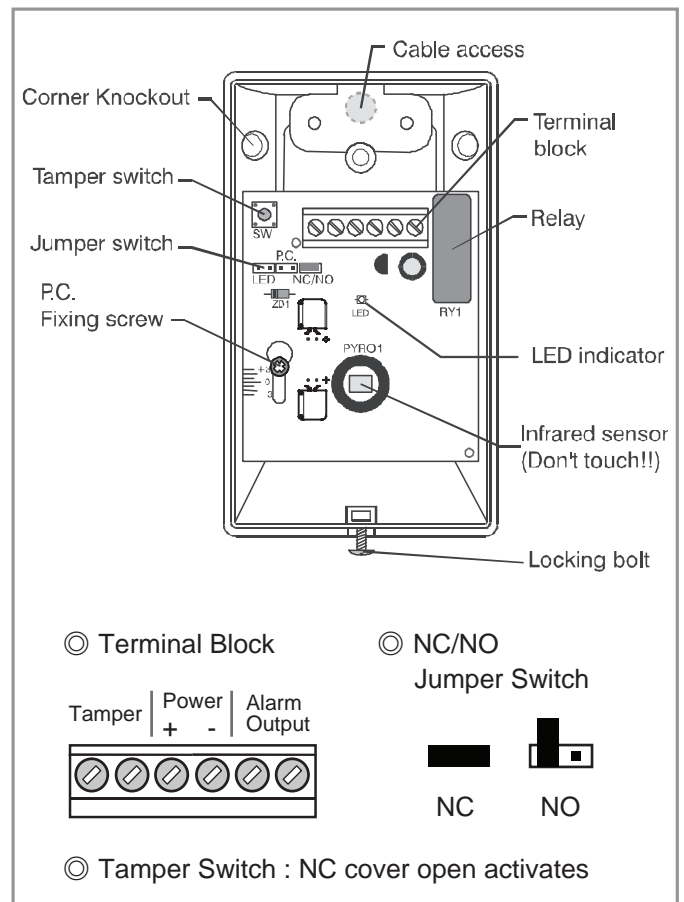


Specifications

Item	Description
Input Voltage	9~16VDC, 12VDC typical
Power Consumption	NC 5mA, NO 15mA at 12VDC
Coverage	110°, up to 1600 sq. ft at 77°F (25°C)
Mounting	Wall Mount
Mounting Height	8 feet
Detactable Speed	1~5 feet/sec.
Operating Temperature	-4°F to 140°F (-20°C to 60°C)
Dimensions	4.4 x 2.6 x 1.8 inches (112 x 66 x 45mm)
Weight	0.19 lb (86 g)

Note : K23 needs a warm-up period of up to 30 seconds when start up.

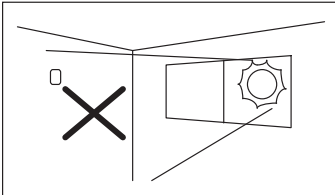
Description



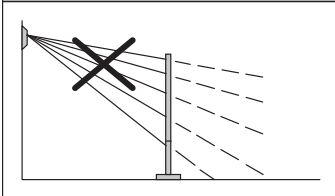
Ordering Code

Ordering Code	Description
K23	Wall Mount Low Voltage Occupancy Sensor
K23B	Bracket

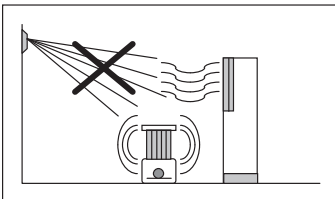
Installation Hints



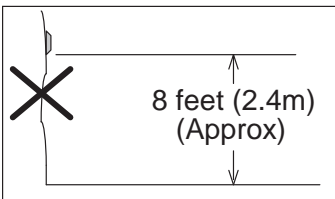
Do not install where the sensor is in or facing direct or reflected sunlight, windows onto main roads (car head lights).



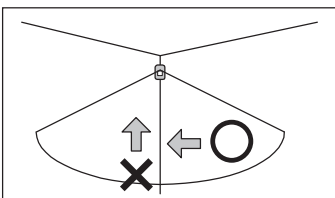
Ensure that there are no obstructions (plants, screens, furniture etc.) in the field of view, which may cause incorrect cover/operation of the sensor.



Avoid locating the sensor in areas, which contain equipment that may change the environment temperature rapidly.

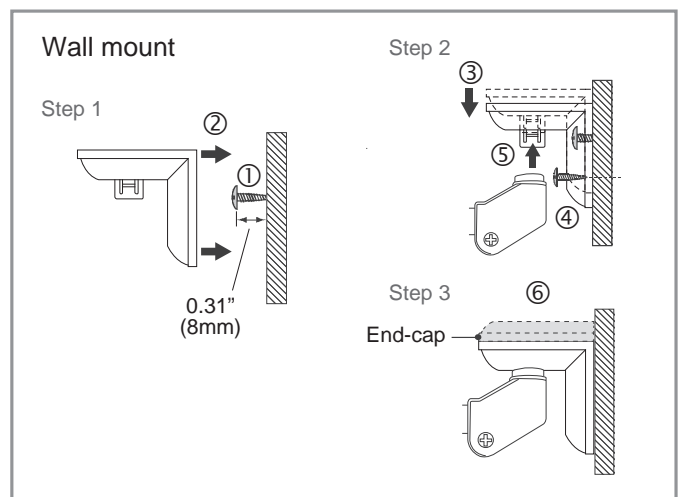
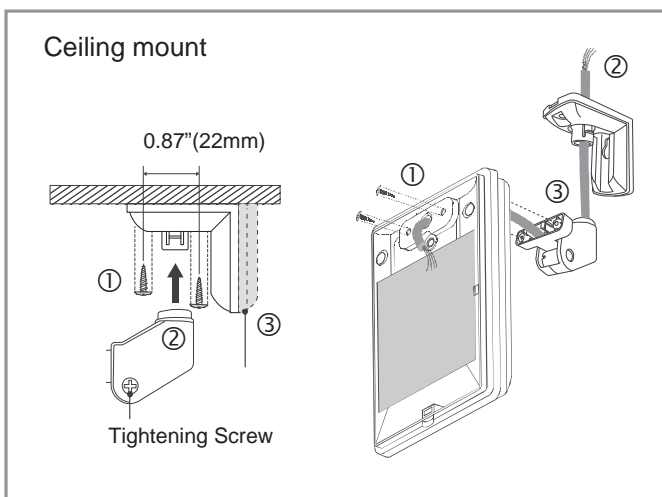


Install the sensor at the recommended height on a rigid surface.



The sensor is more sensitive to the motion "across" the detection zones than "toward" the unit.

Mount with Bracket



Note : The end-cap can be snap-in to cover the back of bracket.