

Smart for Greenlife!

Features

- Non-volatile Memory, the stored data is maintained through power outages
- No conversion factor or multiplier required
- Better accuracy than mechanical energy meters
- Highly sensitive with its low starting current, even small power loads are metered accordingly
- Saves on installation cost by obviating the need for power panels
- Anti-tampering design
- Can be mounted directly on the wall, pleasing appearance
- Small wall print and low depth

Overview

- Conforms to IEC61036 standard
- 6 digit 7 segment LCD display
- Resolution: 0.1 kWh
- Built-in self diagnosis
- Water proof gasket between the top and bottom cover, terminals not included
- Two sets of lead seals: one for the terminal cover and the second for the meter cover itself
- Operating temperature: -10 to 60°C

Applications

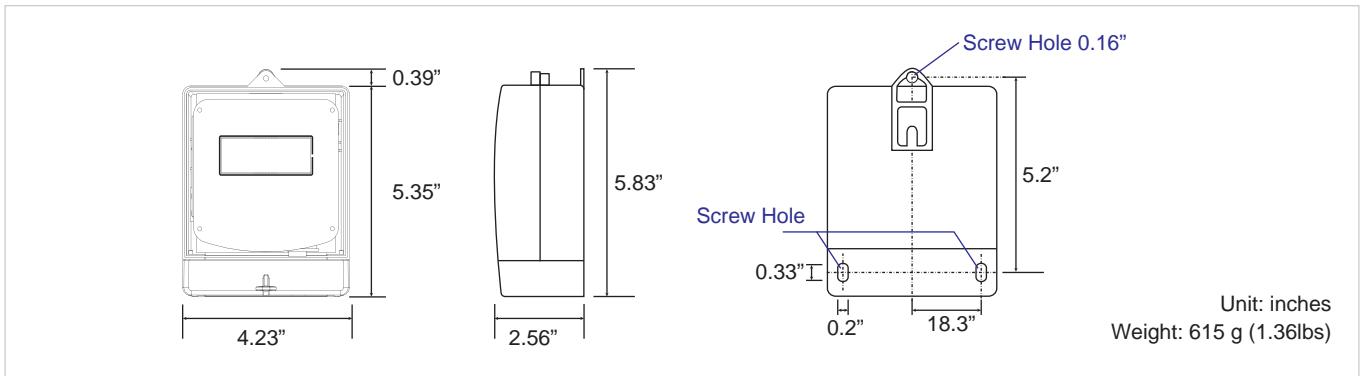
- Rental offices building
- Rental apartments
- School dormitories
- Shopping mall
- Yacht marina
- Temporary housing
- Show rooms
- Market stalls
- Eateries

Specifications

Models	DEM720-1P
Phase/Wire	1p2w
Voltage & Frequency	AC 120V, 60Hz
Power Consumption	less than 2VA
Display	6 digit 7 segment LCD display
Meter Constant	3200 imp/kWh
Max Current	50A
Max Wire Gauge	30mm ²
Weight	615g

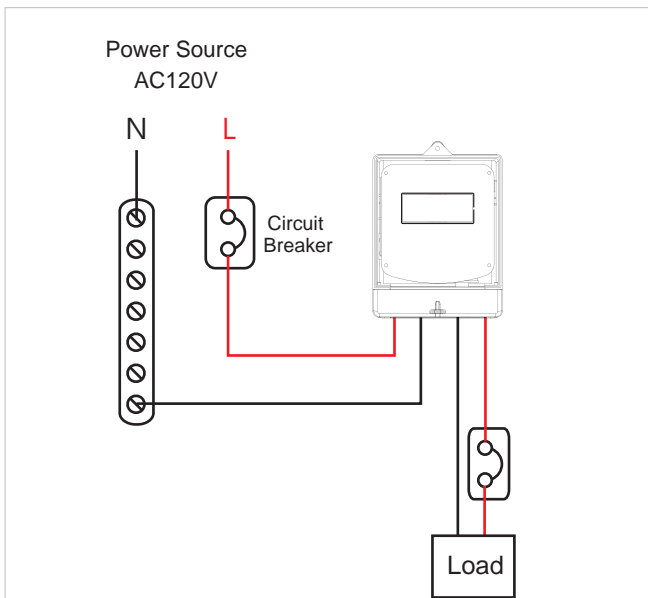
Item	Description
Indicator LEDs	<ul style="list-style-type: none"> • Meter Constant • Communication Activity • Load Status
Environment	Operating: Temperature 0~60°C(32~140°F), Humidity ≤ 90% RH Storage: Temperature -10~80°C (14~176°F), Humidity ≤ 90% RH
Production Standard	IEC61036
Mounting	Can either be mounted inside panel or wall mounted
Communication Interface	<ul style="list-style-type: none"> • RS485 interface • Modbus/RTU protocol • Format: 8/n/1 • Address: 1~254 (default: last 2 digits of serial number) • Baud rates: 1200, 2400, 4800, 9600 bps (default: 2400 bps)

Dimensions

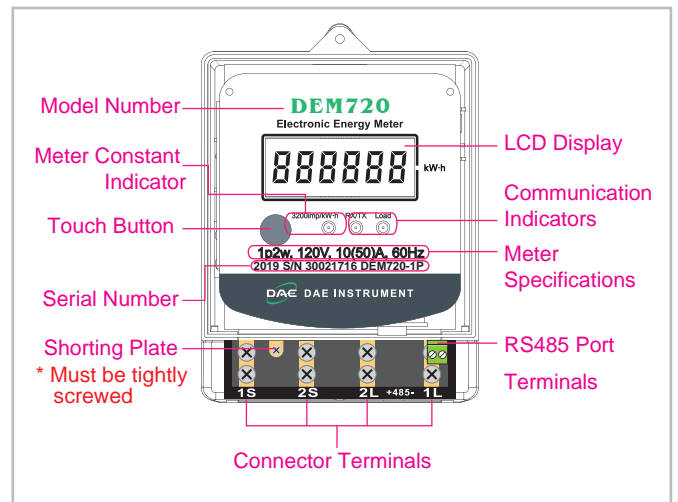


Wiring Diagram

DEM720-1P

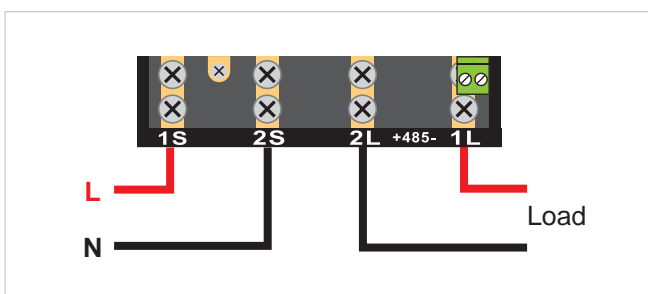


Front Panel and Terminals



Terminal Wiring

DEM720-1P



Ordering

Models	Description
DEM720-1P	1p2w Energy Meter, 120V, 50A, 60Hz

* Specifications are subject to change without notice, this is a preliminary datasheet and for reference only.