



Smart for Greenlife!

Features

- Non-volatile Memory, the stored data is maintained through power outages
- No conversion factor or multiplier required
- Better accuracy than mechanical energy meters
- Highly sensitive with its low starting current, even small power loads are metered accordingly
- Saves on installation cost by obviating the need for power panels
- Anti-tampering design
- Can be mounted directly on the wall, pleasing appearance
- Small wall print and low depth
- RS485 Communication

Overview

- Conforms to IEC61036 standard
- 6 digit 7 segment LCD display
- Resolution: 0.1 kWh
- Built-in self diagnosis
- Water proof gasket between the top and bottom cover, terminals not included
- Two sets of lead seals: one for the terminal cover and the second for the meter cover itself
- Operating temperature: -10 to 60°C

Applications

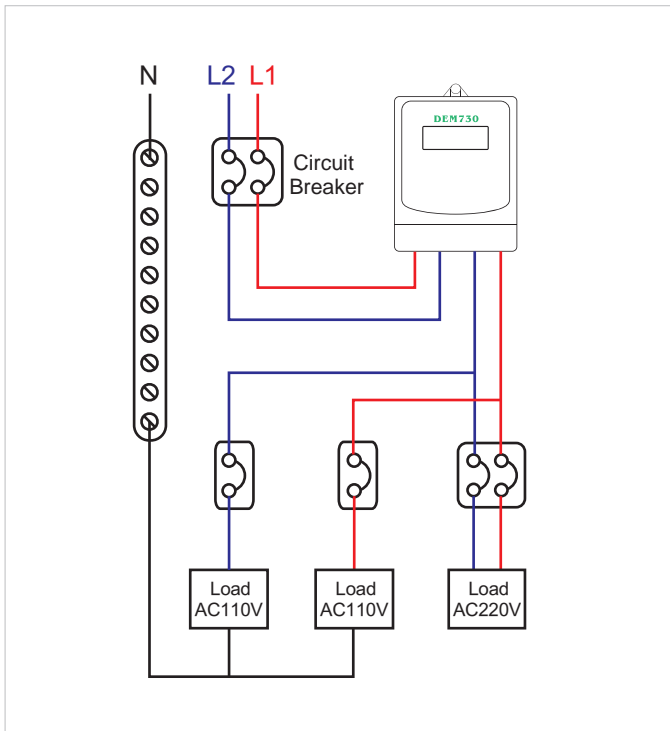
- Rental offices building
- Rental apartments
- School dormitories
- Shopping mall
- Yacht marina
- Temporary housing
- Show rooms
- Market stalls
- Eateries

Specifications

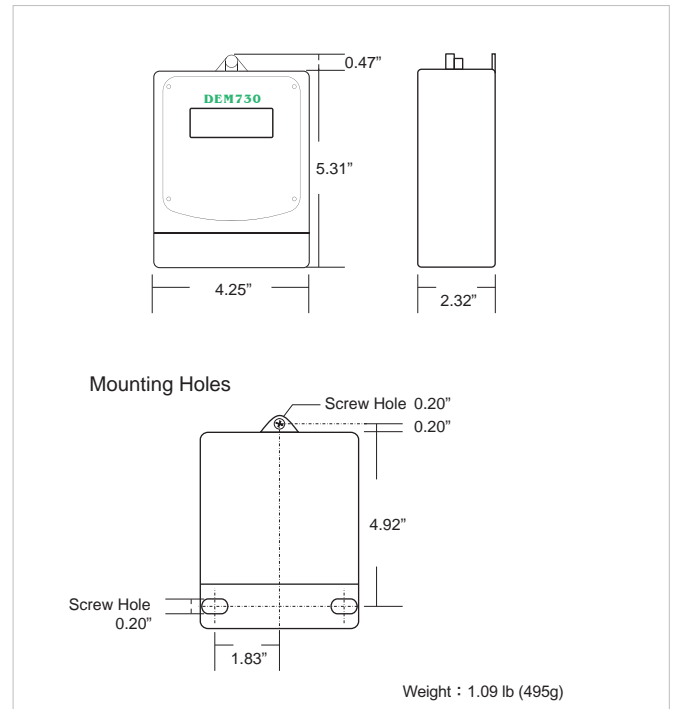
| Models | DEM730P |
|---------------------|-------------------------------|
| Phase/Wire | 1p3w |
| Voltage & Frequency | AC 120/240V, 60Hz |
| Power Consumption | less than 2VA |
| Display | 6 digit 7 segment LCD display |
| Meter Constant | 3200 imp/kWh |
| Max Current | 50A |
| Max Wire Guage | 30mm ² |
| Weight | 615g |

| Item | Description |
|-------------------------|---|
| Indicator LEDs | <ul style="list-style-type: none"> ● Meter Constant ● Communication Activity ● Load Status |
| Environment | Operating: Temperature 0~60°C (32~140°F), Humidity ≤ 90% RH Storage: Temperature -10~80°C (14~176°F), Humidity ≤ 90% RH |
| Production Standard | IEC61036 |
| Mounting | Can either be mounted inside panel or wall mounted |
| Communication Interface | <ul style="list-style-type: none"> ● RS485 interface ● Modbus/RTU protocol ● Format: 8/n/1 ● Address: 1~254 (default: last 2 digits of serial number) ● Baud rates: 1200, 2400, 4800, 9600 bps (default: 2400 bps) |

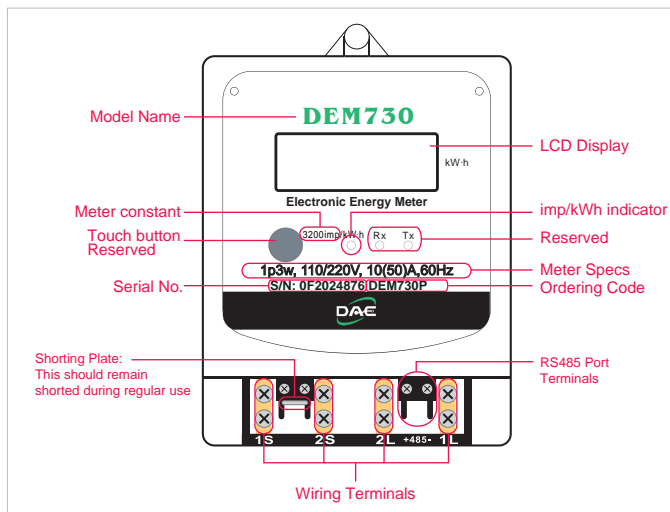
Wiring Diagram



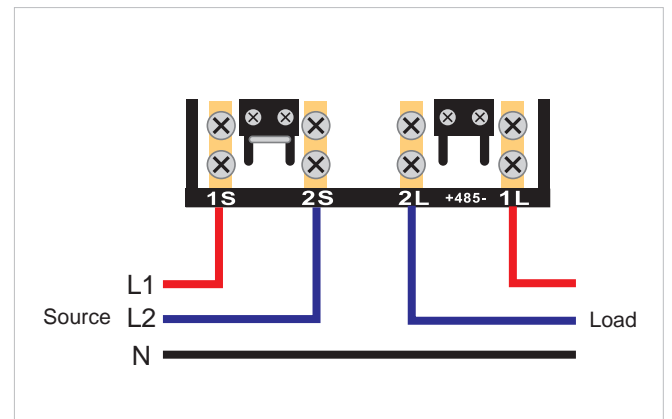
Dimensions



Front Panel and Terminals



Terminal Wiring



Ordering

| Models | Description |
|---------|--|
| DEM730P | 1p3w Energy Meter, 120/240V, 50A, 60Hz |

* Specifications are subject to change without notice, this is a preliminary datasheet and for reference only.

| 日期 | 版本 | 修改內容 | 簽核 |
|-----------|-------|--|----|
| 2020/10/5 | 1.0us | 1. 參考DEM730 datasheet-1.1us.ai 2. 修改Specifications、Ordering | |