

DAE WP-1200P

12" Woltmann Helix Water Meter, Pulse Output, Gallon

[Specification]

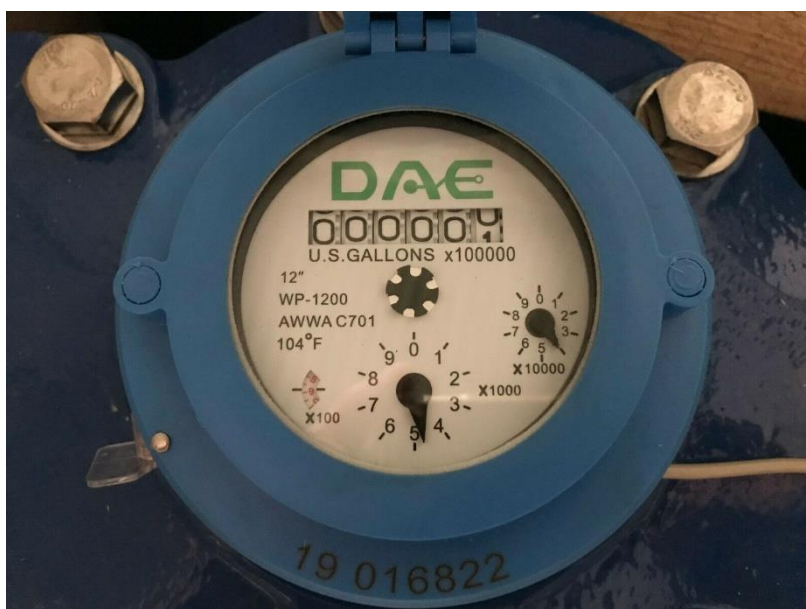
Model	WP-1200P
Type	12" Woltmann Helix Water Meter
Unit	Totalizer Measuring in Gallon, GPM
Pulse Output	1 pulse per 10000 gallons, a dry contact (i.e. no voltage) reed switch with 2 wires, 1.5m. The third party system should not generate electricity more than 0.01A (typically 0.005A like DAE AMR), 24VAC/DC.
Accuracy	±2% as per AWWA C701 test procedure
Certification	AWWA C701 and ISO4064.
Connection	ASME Class 125 Flanges per B16.1
Max Water Temperature	104°F (40°C)
Max. Working Pressure	200 psi
Meter Body	Cast iron, epoxy coated
Size	19.25 inch length, 19.1 inch width, 21 inch height
Weight	232 lbs.
Flow Rate	Maximum Flow Rate: 5000 GPM Normal Flow Rate: 3300 GPM (pressure drop: 0.45 psi) Minimum Flow Rate: 120 GPM

[Feature]

- Mount: Horizontal position with dial facing upwards or sideways. It is not recommended to have dial facing downwards. It can also be installed vertically with water flowing upwards.
- Meter must be installed with direction of flow as indicated by arrow cast into the meter body.
- Install valve before inlet of meter. A valve at outlet is also recommended.
- Install meter in a location with at least 10 diameters of straight pipe at the inlet and 5 diameters at the outlet to assure proper flow profile to meter.
- Max. Reading: 99,999,999,990 gallons, Min. Reading: 1 gallon. The 1st digit from the right has a multiplier of 100000 gallons. Reading on the 1st picture of the listing is 44890 gallons.
- Sealed dry dial for clear readings.
- The pulse emitter device consists of a plastic housing with Reed Switch and 1.5 m cable with 2 cores in red and black.
- The meter register assembly can be removed for repair or replacement without disrupting the process flow.
- Operate at low pressure loss and offer excellent accuracy.
- Factory calibration certificates available for government contracts.
- 2 years warranty from the seller.

[Remote Reading Solutions]

- Cloud Metering available with DAE CC2030 Gateway. Please refer to 6th picture. DAE CC2030 gateway will get the water consumptions from DAE AMR (Auto Meter Reading Module with RS485 communication for 16 water meters with Pulse Output) or DAE AMR130 (for 1 meter) and send them to the cloud (DAE server) through Ethernet. With PC or cell phone or tablet, the building owners or property managers will therefore be able to get access to real time data as well as the monthly water consumption and billing reports to their tenants. If there is abnormal usage (ex. Broken piping), an email alert will be sent to your cell phone automatically.
- Ready for use with CO-10 KIT or CO-10 Electronic Pulse Counter - An inexpensive remote reading solution Please refer to 5th picture.
- Only two wire connection between water meter and AMR or AMR130 or CO-10. It is not required for additional power source.
- Wireless remote reading available with DAE RF converters. Please refer to 7th picture.



[Picture 1]



[Picture 2]



[Picture 3]



[Picture 4]

Remote Reading with Pulse Counter An Inexpensive Solution

Note: Only meters with pulse output like AS200U-75P are eligible to be connected to CO-10.

Electronic Pulse Counter CO-10



info@daecontrols.com, (248) 635 3708, www.daecontrols.com

[Picture5]

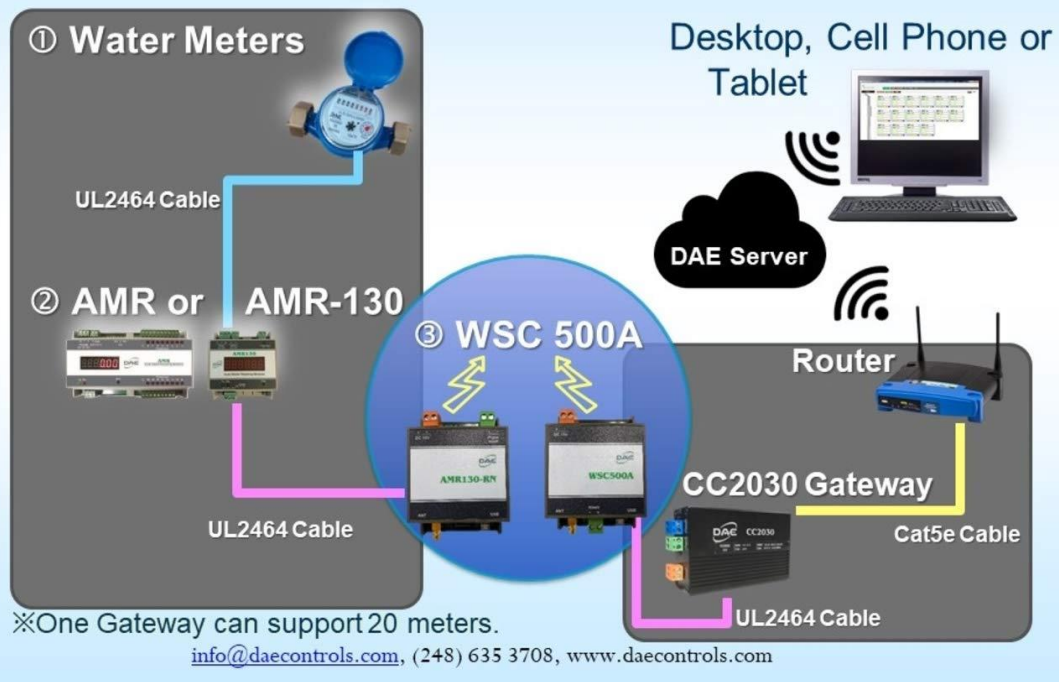
Cloud System Architecture

Water Meters



[Picture6]

Wireless Cloud System Architecture - Water



[Picture 7]