

DAE V-75P

Vertical Water Meter with Pulse Output, 3/4" NPT Couplings, Measuring in Gallons

[Specification]

Model	V-75P
Type	5/8"*3/4" Vertical Water Meter with Pulse Output, Measuring in Gallon + 3/4" NPT Couplings
Unit	US Gallon
Pulse Output	1 pulse per 1 gallon, a dry contact (i.e. no voltage) reed switch with 2 wires, 1.5m. The third party system should not generate electricity more than 0.01A (typically 0.005A like DAE AMR), 24VAC/DC.
Accuracy	+/-1.5% within normal flow as per AWWA Standard
Certification	Conforms to both AWWA C708 and ISO 4064 Class B
Max Water Temperature	122°F (50°C)
Couplings	Included
Meter Body	Bronze
Size	Length without couplings: 4.13 inches Length with couplings: 8.23 inches
Bore Diameter	0.886 inches (22.5 mm)
Flow Rate	Maximum Flow Rate: 20 GPM Maximum Continuous Flow Rate: 10 GPM Minimum Flow Rate: 1/4 GPM (The meter may be damaged if your Continuous flow is more than 10 GPM.)
Pressure Drop	0.58 psi @ 5 GPM, 1.96 psi @ 10 GPM

[Feature]

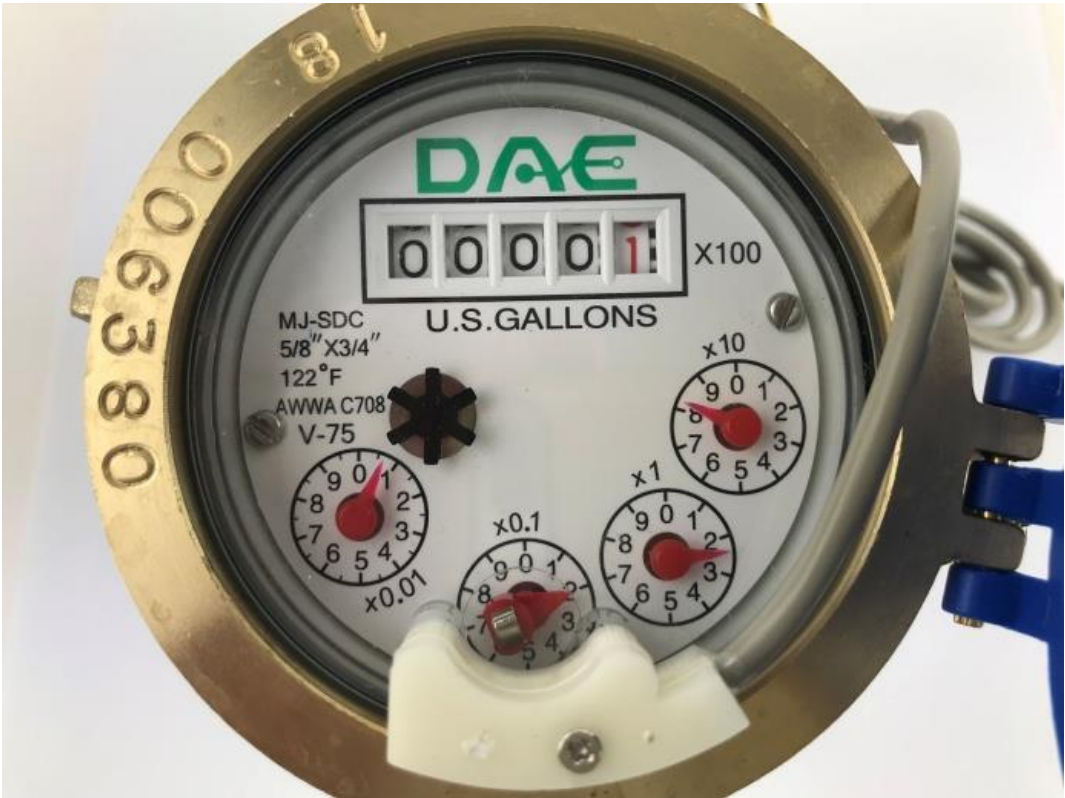
- Mount: vertically, dial facing upward, water flowing upwards. For installing vertically with water flowing downwards, please refer to VM-75P or PD-75 which can be installed in any position, vertically or horizontally, water flowing downwards or upwards, dial facing upwards, downwards or side-way.
- DAE V-75P 5/8"*3/4" meter is not a meter with a 5/8" inlet and a 3/4" outlet. It is with 3/4" NPT couplings for both 3/4" inlet and 3/4" outlet.
- Max. Reading:9,999,999 gallons, Min.Reading:0.005 gallons. The 1st digit from the right has a multiplier of 100 gallons. For example, if you see 01234 on the digits, it is 123400 gallons. The 1st dial under the digits has a multiplier of 10 gallons. The 2nd dial under the digits is in gallons. Reading on 2nd picture of listing is 82.207 gallons.
- Max. working pressure is 232 psi, exceeding the requirement from AWWA standard 150 psi.
- 2 years warranty from the seller.

[Remote Reading Solutions]

- Cloud Metering available (2nd picture) with DAE CC2030 Gateway. CC2030 will collect water usage from DAE AMR (for 16 meters) or AMR130 (for 1 meter) and send them to cloud server through Ethernet. With PC, cell phone, the landlords can see real time data, monthly water usage & billing reports to their tenants. If there is abnormal usage (ex. Broken piping), an email alert will be sent to your cell phone. No IT guy required. Just connect wires as per a simple picture (see video) & ready to go.
- Ready for use with CO-10 KIT or CO-10 Electronic Pulse Counter - An inexpensive remote reading solution Please refer to 4th picture.
- Wireless remote reading available with DAE RF converters. Please refer to 6th picture.



[Picture 1]



[Picture 2]



[Picture 3]

Remote Reading with Pulse Counter

An Inexpensive Solution

Note: Only meters with pulse output like AS200U-75P are eligible to be connected to CO-10.

Electronic Pulse Counter CO-10



info@daecontrols.com, (248) 635 3708, www.daecontrols.com

[Picture 4]

Cloud System Architecture

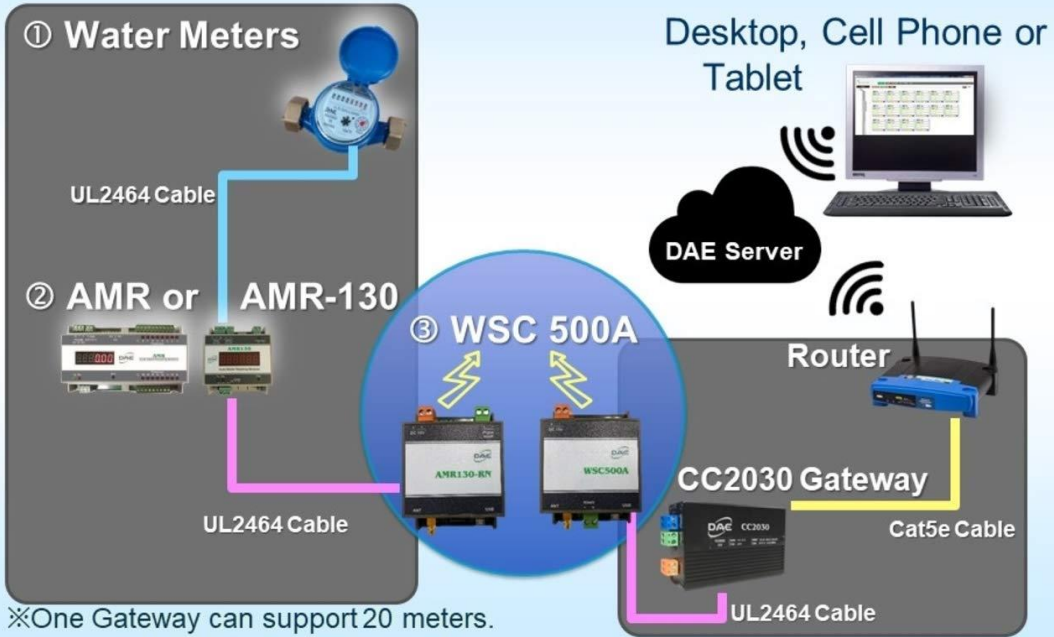
Water Meters



info@daecontrols.com, (248) 635 3708, www.daecontrols.com

[Picture 5]

Wireless Cloud System Architecture - Water



※One Gateway can support 20 meters.
info@daecontrols.com, (248) 635 3708, www.daecontrols.com

[Picture 6]