

DAE MJ-150R

1.5" Lead Free Potable Hot Water Meter, Pulse Output + Couplings, Gallons

[Specification]

Model	MJ-150R
Type	1.5" Lead-Free Potable Hot Water Meter with Pulse Output, Couplings, Multi-Jet
Couplings	Lead Free Couplings Included
Pulse Output	Pulse Output: 1 gallon/pulse, a dry contact (i.e. no voltage) reed switch with 2 wires, 1.5m. The switch may be damaged if input electricity is more than 0.01A, 24V. We shall not be responsible with the result if connecting to third party device which is not certified by DAE.
Unit	US Gallon
Accuracy	+/- 1.5% within normal flow as per AWWA Standard
Certification	AWWA C708
Max Water Temperature	194°F (90°C)
Max. Working Pressure	232 psi, exceeding the requirement from AWWA standard 150 psi
Meter Body	Lead-Free Bronze
Size	Length without couplings: 11.3 inches Length with couplings: 17 inches Item dimension: 11.3" length, 4.8" wide, 5.6" height
Bore Diameter	1.65 inches (41.9 mm)
Weight	11 lbs.
Flow Rate	Safe Maximum Flow Rate: 100 GPM Recommended Maximum Continuous Flow Rate: 50 GPM Minimum Test Flow Rate: 1.5 GPM Normal Test Flow Limits: 5-100 GPM
Pressure Drop	0.392 psi@ 20 GPM, 2.030 psi @ 40 GPM
Mount	Horizontal Inline mount with dial facing upward

[Feature]

- Max. Reading:99,999,999 gallons, Min.Reading:0.05 gallons. The 1st digit from the right has a multiplier of 100 gallons. For example, if you see 001234 on the digits, it is 123400 gallons. The 1st dial under the digits has a multiplier of 10 gallons. The 2nd dial under the digits is in gallon. The reading on the 2nd picture of the listing is 78.6 gallons.
- The pulse emitter device consists of a plastic housing with Reed Switch and 1.5 m cable with 2 cores in red and black. Dry contact pulse output. Max. Voltage: 24VAC/DC, Max. Current: 0.01A
- Factory calibration certificates available for government contracts.
- 2 years warranty from the seller.

[Remote Reading Solutions]

- Refer to 6th picture, available for cloud metering system with CC2030 Gateway. DAE CC2030 Gateway will get the water consumptions from (Auto Meter Reading Module for single water meter) or AMR (Auto Meter Reading Module for 16 water meters) and send them to the cloud (DAE server) through Ethernet. With PC or cell phone or tablet, the building owners or property managers will therefore be able to get access to real time data as well as the monthly water consumption and billing reports to their tenants. If there is abnormal usage (ex. Broken piping), an alert will be sent to your cell phone automatically.
- Ready for use with CO-10 KIT or CO-10 Electronic Pulse Counter - An inexpensive remote reading solution Please refer to 5th picture.
- Only two wire connection between water meter and AMR or AMR130 or CO-10. It is not required for additional power source.
- Wireless remote reading available with DAE RF converters. Please refer to 7th picture.



[Picture 1]



[Picture 2]



[Picture 3]



[Picture 4]

Remote Reading with Pulse Counter An Inexpensive Solution

Note: Only meters with pulse output like AS200U-75P are eligible to be connected to CO-10.

Electronic Pulse Counter CO-10



info@daecontrols.com, (248) 635 3708, www.daecontrols.com

[Picture 5]

Cloud System Architecture

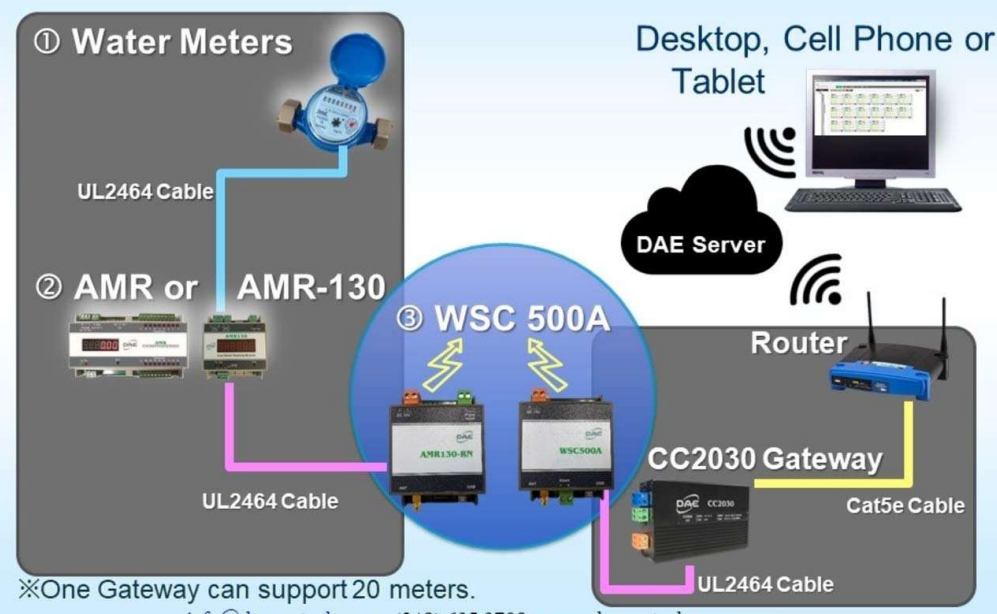
Water Meters



info@daecontrols.com, (248) 635 3708, www.daecontrols.com

[Picture 6]

Wireless Cloud System Architecture - Water



info@daecontrols.com, (248) 635 3708, www.daecontrols.com

[Picture 7]