

DAE MJ-50

Lead Free Potable Water Meter, 1/2" NPT Couplings, Pulse Output + Gallon

[Specification]

Model	MJ-50
Type	5/8" x 1/2" NSF61 Certified, Lead-Free Potable Water Meter, 1/2" NPT Couplings at both ends, with Pulse Pulse/Reed Switch Output, Multi-Jet
Couplings	Lead Free Couplings Included
Pulse Output	1 gallon/pulse, a dry contact (i.e. no voltage) reed switch with 2 wires, 1.5m. The switch may be damaged if input electricity is more than 0.01A, 24V. We shall not be responsible with the result if connecting to third party device which is not certified by DAE.
Unit	US Gallon
Accuracy	+/- 1.5% within normal flow as per AWWA Standard
Certification	AWWA C708, ANSI/NSF 61, ANSI/NSF 372
Max Water Temperature	122F (50C)
Max. Working Pressure	232 psi, exceeding the requirement from AWWA standard 150 psi
Meter Body	Lead-Free Bronze
Size	Length without couplings: 6.5 inches Length with couplings: 10.2 inches Item dimension: 6.5" length, 3.7" wide, 4.23" height
Bore Diameter	0.72 inches (18.3 mm)
Weight	2 lbs. 11 once
Flow Rate	Safe Maximum Flow Rate: 20 GPM Recommended Maximum Continuous Flow Rate: 10 GPM Minimum Test Flow Rate: 0.25 GPM Normal Test Flow Limits: 1-20 GPM
Pressure Drop	1.015 psi @ 5 GPM; 1.9 psi @ 10 GPM
Mount	Horizontal Inline mount with dial facing upward. For the water meter to be installed vertically, please refer to PD-50P which can be installed in any position, vertically or horizontally, dial facing upwards or downwards or horizontally, water flowing downwards or upwards.

[Feature]

- Max. Reading:9,999,999 gallons, Min.Reading:0.005 gallons. The 1st digit from the right has a multiplier of 100 gallons. For example, if you see 01234 on the digits, it is 123400 gallons. The 1st dial under the digits has a multiplier of 10 gallons. The 2nd dial under the digits is in gallon. The reading on the 2nd picture of the listing is 91.645 gallons.

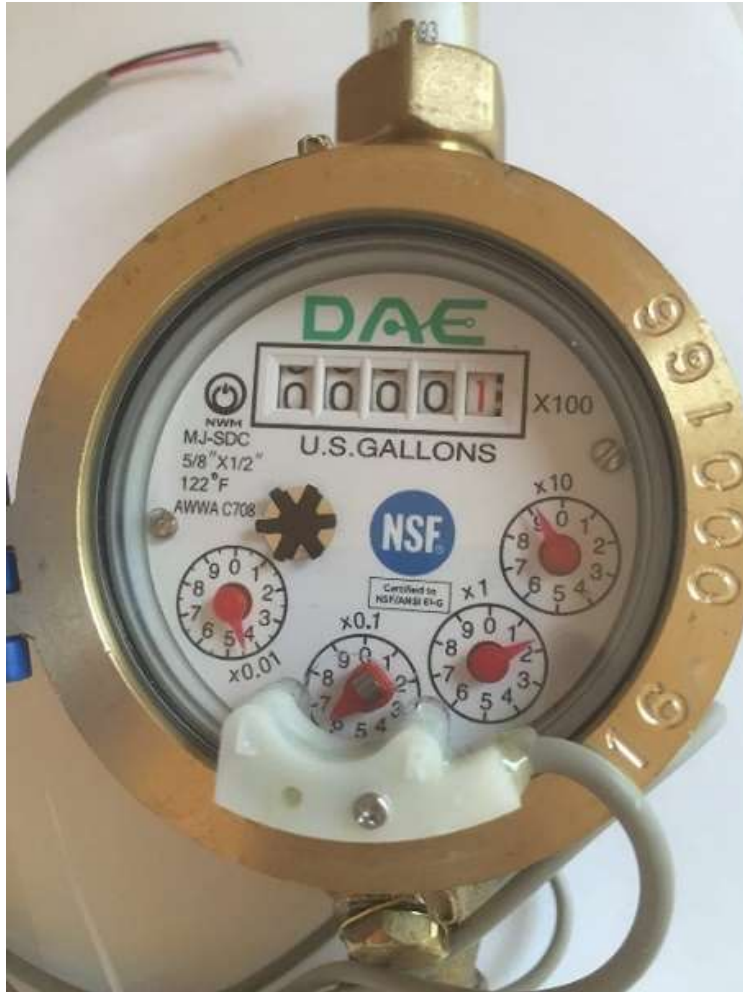
- Certified by NSF to meet ANSI/NSF 61 for material safety and ANSI/NSF 372 for lead free plumbing as defined by the US Safe Drinking Water Act.
- 5/8" x 1/2" meter is not a meter with a 5/8" inlet and a 1/2" outlet. It is with 1/2" NPT couplings for both 1/2" inlet and 1/2" outlet. 5/8" means the capacity of the water meter.
- The pulse emitter device consists of a plastic housing with Reed Switch and 1.5 m cable with 2 cores in red and black. Dry contact pulse output.
- Factory calibration certificates available for government contracts.
- 2 years warranty from the seller.

[Remote Reading Solutions]

- Refer to 6th picture, available for cloud metering system with CC2030 Gateway. DAE CC2030 Gateway will get the water consumptions from (Auto Meter Reading Module for single water meter) or AMR (Auto Meter Reading Module for 16 water meters) and send them to the cloud (DAE server) through Ethernet. With PC or cell phone or tablet, the building owners or property managers will therefore be able to get access to real time data as well as the monthly water consumption and billing reports to their tenants. If there is abnormal usage (ex. Broken piping), an alert will be sent to your cell phone automatically.
- Ready for use with CO-10 KIT or CO-10 Electronic Pulse Counter - An inexpensive remote reading solution Please refer to 5th picture.
- Only two wire connection between water meter and AMR or AMR130 or CO-10. It is not required for additional power source.
- Wireless remote reading available with DAE RF converters. Please refer to 7th picture.



[Picture 1]



[Picture 2]



[Picture 3]



[Picture 4]

Remote Reading with Pulse Counter An Inexpensive Solution

Note: Only meters with pulse output like AS200U-75P are eligible to be connected to CO-10.

**Electronic
Pulse Counter
CO-10**



info@daecontrols.com, (248) 635 3708, www.daecontrols.com

[Picture 5]

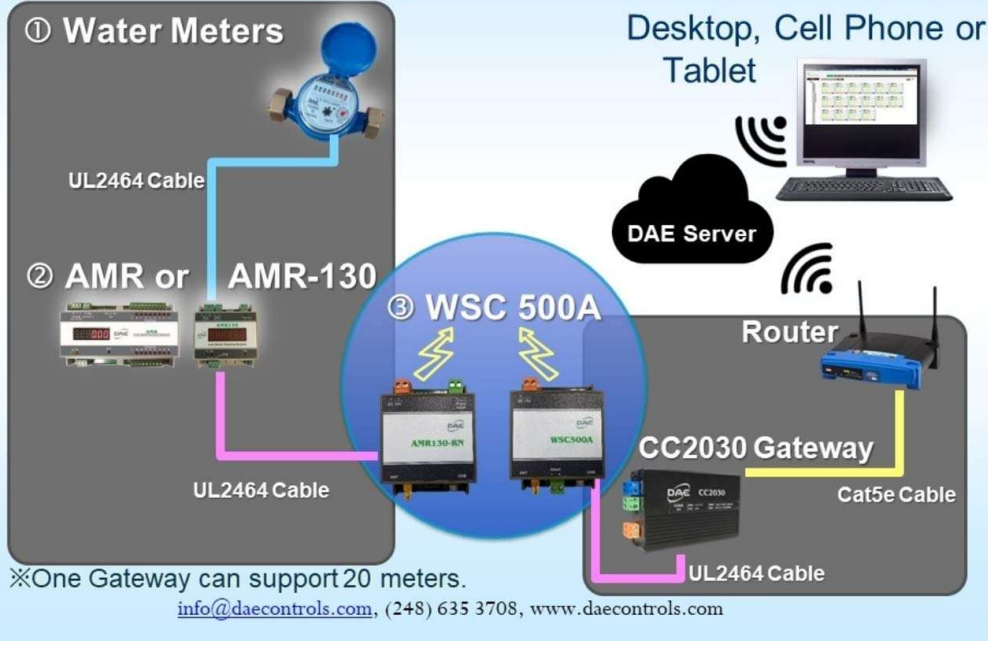
Cloud System Architecture

Water Meters



[Picture 6]

Wireless Cloud System Architecture - Water



[Picture 7]