

DAE P254-200-S KIT, UL CTEP kWh Smart Submeter

3 phase 4 wire (3 hot wire, 1 neutral), 200A, 120/208v, 3 CTs, RS485

[Specification]

Model	Polaris 2500
Type	P254-200-S KIT
Accuracy	UL/cUL Listed, California CTEP approved. Conform to ANSI C12.1 and C12.20 national accuracy standards. Revenue-grade 0.5% accuracy.
Voltage Rating	120/ 208V
Phase	3 phase 4 Wire (3 Hot Wire, 1 Neutral)
Amp Rating	200A
Current Transformer (CTs)	3 Solid core CTs (CT-200D3)
Frequency	60 or 50 Hz
Working Voltage	Derived from voltage input
Power Consumption	7VA
Operating Temperature	-20~50C° (-4~122 F°)
Relative Humidity	0~95% non-condensing
Pulse Output	1000 pulses per kWh
Demand	Optional (15 minutes interval standard, 30 minutes, or 60 minutes intervals available)
Item dimension	Polaris Meter: Length 7.42" x Width 5" x Height 2.24" CT-200D3: Length 2.13" x Width 2.13" x Height 0.71" (Inner diameter 1.02")
Weight	3 lbs
LED Display	6 digit, Max: 99999.9 kWh, No conversion factor or multiplier required.
Communication Interface	RS485, Modbus/RTU protocol
Format	8/n/1
Address	1~254 (default: last 2 digits of serial number)
Baud Rate	1200, 2400,4800, 9600 (default 9600)
Installation Method	Wall Mount
Non-volatile Memory	The stored data is maintained through power outages.
Extending Wiring on CTs	The accuracy will not be affected when the CTs are extended up to 2000 feet away from the meter.
Multiple CTs Monitoring	Parallel up to three sets of CTs for cumulative reading
Usage	Indoor use only. (DAE Watertight NEMA 4 enclosure is available for outdoor use)
For the buyers outside of USA	In addition to the tax, the carriers may charge brokerage fee.
Warranty	Five Years

[Feature]

- Comes with a lower cover which has two 3/4" knockouts to connect the conduits.
- One in-inline fuse with holder is attached for you to connect hot wire A to VA of the meter. The meter is powered by VA and VN. VB and VC just take the reference of voltage from hot wire B, C. They do not need in-inline fuse.

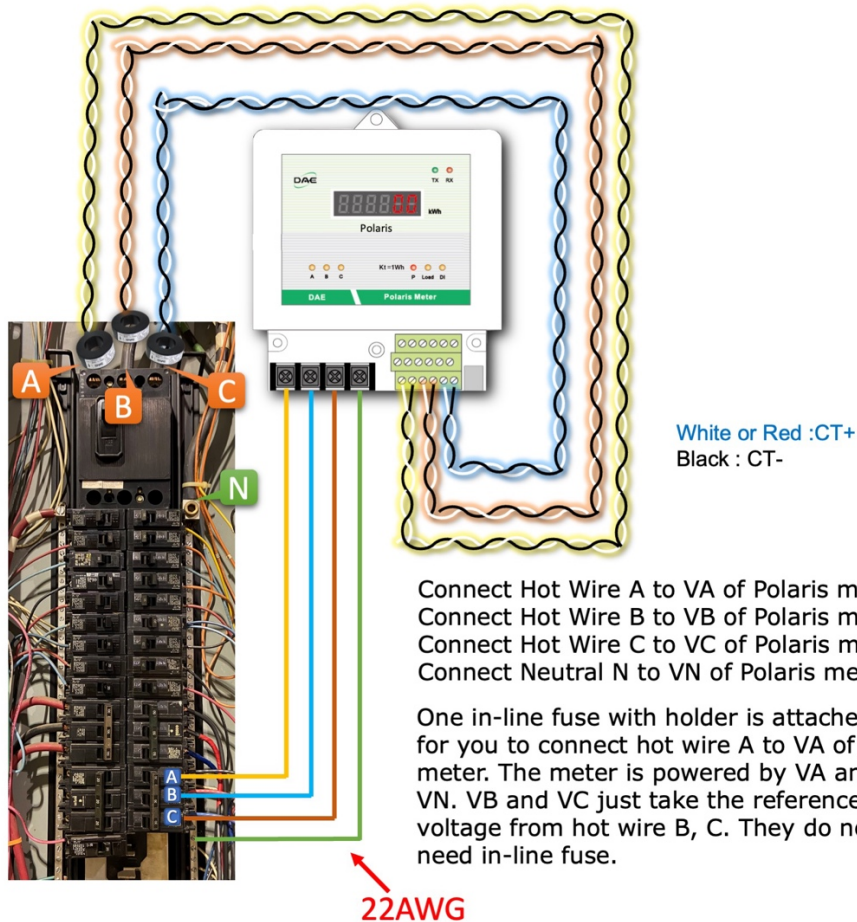
- Following CTs are available with the meter. Split Core CTs DAE CT-5000SB (5000A), CT-3000SB (3000A), CT-2000SB (2000A), CT-1500SB (1500A), CT-1000SB (1000A), CT-600S (600A), CT-400S (400A), CT-200SB (200A), CT-100S (100A) and Solid Core CT-600D9 (600A), CT-400D6 (400A), CT-200D3 (200A).
- Please feel free to get the NMSDC Minority Supplier Certificate from DAE Controls Website.
- Factory calibration certificates available for government contracts.

[Wiring Connection]

3P4W (3 hot Wire 1 neutral) (P204 P254 P206 P256 P304 P306)



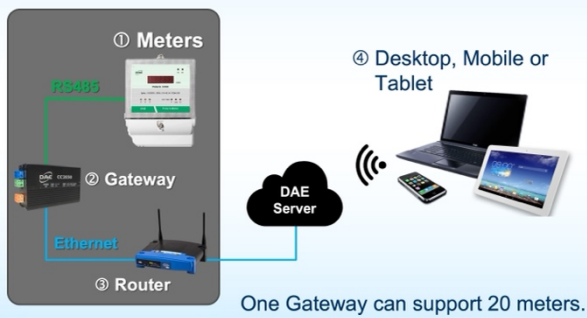
Connect the wires of CTs at electric panel to the green terminals of Polaris meter as per the following instruction.



[Remote Reading Solutions]

Cloud System Architecture

Polaris Meters

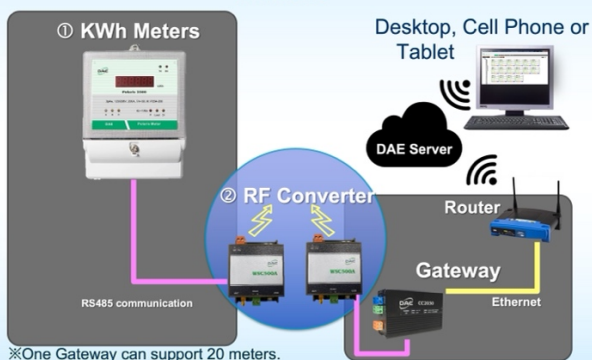


info@dacontrols.com, (248) 635 3708, www.daecontrol.com

DAE Cloud Metering available with DAE CC2030 KIT Gateway. CC2030 will collect energy data from DAE electrical meters and send them to Cloud Server through Ethernet. With PC, cell phone or tablet, landlords or property managers can get access to real time data, monthly kWh and billing reports to their tenants. TOU (Time of Use) billing reports are also available. No IT guy required. Just connect wires as per picture & ready to go.

Wireless Cloud System

KWh Meters



info@dacontrols.com, (248) 635 3708, www.daecontrol.com

For existing building, hard to draw cable between electric meter (close to electric panel) and CC2030 (close to your router), please choose 1 CC2030 KIT + 2 WSC500A RF Converters to connect electric meter and CC2030 wirelessly.



Indoor use only, DAE B1725 watertight enclosure is available for outdoor use.