

Smart for Greenlife!

Specifications

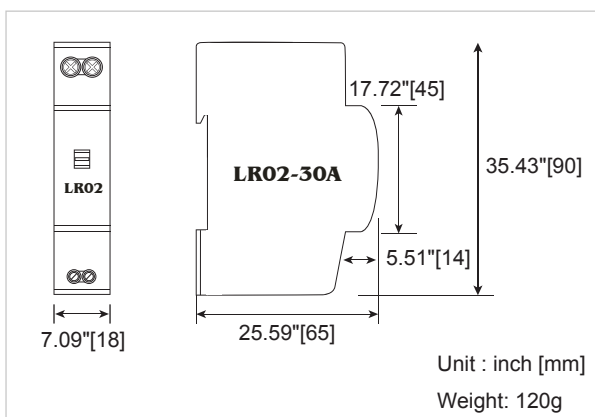
Model	LR02-30A
Capacity	30A latching relay
Voltage Rating	90~277VAC
Output Terminal	Wire Gauge: 12~18 AWG
Input Control	9~12VDC, ≥300mA
Input Pulse	50ms < t < 100ms
Input Terminal	Wire Gauge: 16~24 AWG
Backup Control	Manual actuation lever
Enclosure	ABS plastic
Mounting	DIN Rail
Safety	

LR02 Load Capacity

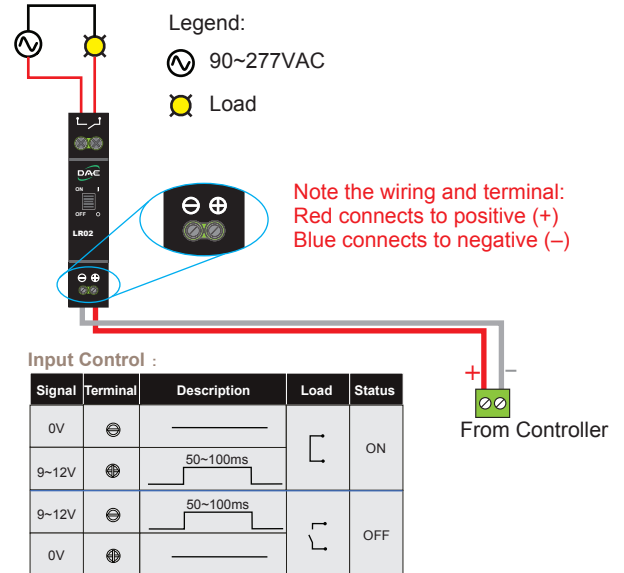
Load Voltage	Load Type ¹	Wattage
		LR02-30A
110Vac	A	1000W
	B	2200W
220Vac	A	2000W
	B	4400W
277Vac	A	2200W
	B	4800W

¹ Note:
 Type A - T5, LED, CFL
 Type B - Tungsten lamps, halogen lamps

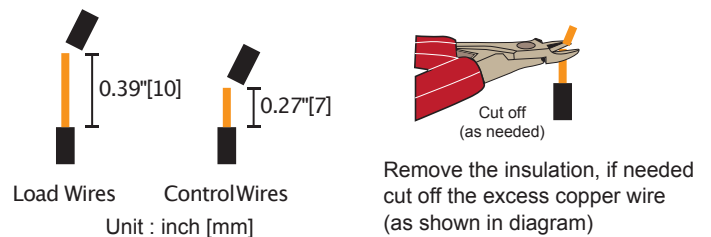
Dimensions



Wiring Diagram



• Wire Stripping Detail:



• Wire per Specifications:

- Load Wires (Use Copper Conductors Only)
 Wire range: #12-18 AWG, 3.3 - 0.75 mm square - Torque rating: 5.5 lb-in, 6.3 kgf-cm.
- Control Wires
 Wire range: #16-24 AWG, 1.3 - 0.2 mm square - Torque rating: 5.0 lb-in, 5.76 kgf-cm.
- Max.Ambient Temperature:55°C

Ordering

Order Code	Description
LR02-30A	30A Latching Relay with UL

*This datasheet is for reference only, specifications subject to change without notice